



# Rd-04 Specification

Version V1.1.0

Copyright ©2023



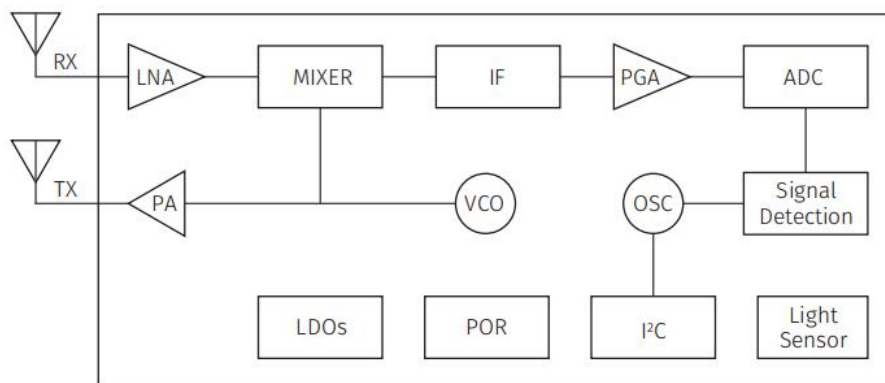
## Content

1. Product overview .....	4
1.1. Characteristic .....	5
2. Main parameters .....	6
2.1. Electrostatic requirements .....	6
2.2. Electrical specification .....	6
2.3. Radar sensing distance .....	7
2.4. Power consumption .....	7
3. Appearance size .....	8
4. Pin definition .....	9
5. Schematic diagram .....	10
6. Design guidance .....	11
6.1. Application circuit guidance .....	11
6.2. Recommend PCB package size .....	11
6.3. Attention in testing and using radar module .....	11
6.4. Attention in application and installation of devices with built-in radar modules .....	12
6.5. Installation environment requirements .....	13
6.6. Installation mode and induction range .....	13
6.7. Supply electricity .....	15
6.8. GPIO .....	16
7. Storage condition .....	17
8. Reflow welding curve .....	17
9. Product package information .....	18
10. Contact us .....	18
Disclaimer and copyright notice .....	19
Notice .....	19
Statement .....	20

## 1. Product overview

Rd-04 is a motion sensing module based on X-band radar developed by Shenzhen Ai-Thinker Technology Co., LTD. The module uses Phosense's XBR818 chip, and center frequency is 10.525GHz. The module design adopts fixed frequency, directional transmitting and receiving antenna (1T1R), integrates the functions of medium frequency demodulation, signal amplification and digital processing, and has the ability of delay setting and adjustable perception range. The module has the advantages of no wall penetration, anti-interference, small size, good suppression effect of clutter and high harmonic, high stability and consistency. In the module pulse power supply mode, the power consumption is in the micro-ampere level. The module is mainly aimed at low-cost and low-power consumption applications.

The module is suitable for embedded concealed installation, not affected by temperature / humidity, lampblack, water mist, etc., can be widely used in all kinds of lamps, such as bulb lamp, downlight, ceiling light, etc.; low power application, such as visual doorbell, cat eye, door lock, low power camera, intelligent litter box, pet feeder, etc.



**Figure 1 XBR818 chip architecture diagram**

## 1.1. Characteristic

- DIP package, standard 2.0mm pin header
- The radar supports the 10.525G frequency band
- Integrated digital signal detection and processor, real-time output of moving target detection results
- Support IIC bus configuration
- Support pulse power supply mode
- Support integrated photosensitive drive
- Support a variety of installation methods such as top hanging and wall hanging.
- The longest radar induction range is up to 6.5 meters
- The radar detection Angle is large, and the coverage range can reach  $\pm 50$  degrees
- Typical application scenarios
  - ✓ Human sensor light control
  - ✓ Human sensing awakening of advertising screen and other equipment
  - ✓ Life safety protection
  - ✓ Smart home appliances
  - ✓ Intelligent security

## 2. Main parameters

**Table 1 Description of main parameters**

<b>Model</b>	Rd-04
<b>Package</b>	DIP
<b>Size</b>	15.0*15.0mm
<b>Antenna</b>	On board PCB antenna
<b>Frequency range</b>	10.275-10.775GHz
<b>Operating temperature</b>	-40°C ~ 85°C
<b>Storage environment</b>	-40°C ~ 125°C, < 90%RH
<b>Power supply range</b>	The power supply voltage is 3.0V ~ 3.6V, and the power supply current is $\geq 100\text{mA}$ .
<b>Support interface</b>	IIC
<b>Available IO quantity</b>	2

### 2.1. Electrostatic requirements

Rd-04 is electrostatic sensitive equipment, so special precautions should be taken during handling



**Figure 2 ESD antistatic diagram**

### 2.2. Electrical specification

**Table 2 Table of Electrical Characteristics**

<b>Parameter</b>	<b>Condition</b>	<b>Min. value</b>	<b>Typical value</b>	<b>Max. value</b>	<b>un</b>
supply voltage	VDD	3.0	3.3	3.6	V
I/O	VIL	-	-	0.3*VDDIO	V
	VIH	-	0.7*VDDIO	-	V
	VOL	-	-	0.1*VDDIO	V
	VOH	-	-	0.9*VDDIO	V
	IMAX	-	-	-	15

## 2.3. Radar sensing distance

**Table 3 Radar Induction Distance**

Installation mode	Min. value	Typical value	Max. value	Unit
Wall hanging mode (radialdirection )	-	6.5	-	meters
Top hanging mode (3m hanging height), circular projection radius	-	2.5	-	meters

## 2.4. Power consumption

The following power consumption data are based on a power supply of 3.3V and an ambient temperature of 25 C. The hardware configurations of constant power supply and pulse power supply are different.

**Table 4 Power consumption table**

Mode	Min. value	Typical value	Max.value	Unit
Constant power supply mode	-	16	-	mA
Pulse power supply mode	-	110	-	uA

### 3. Appearance size

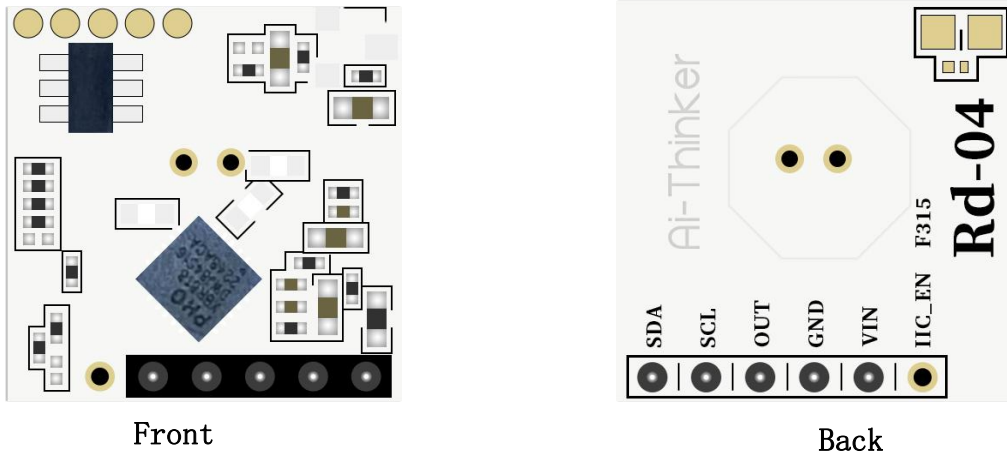


Figure 3 Appearance diagram (Rendering figure is for reference only,subject to physical objects)

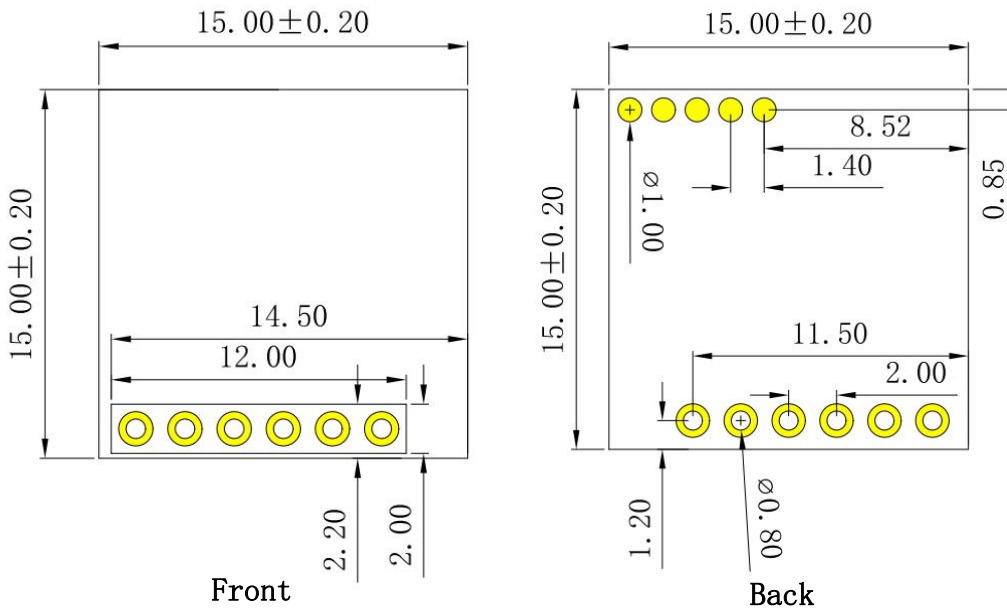
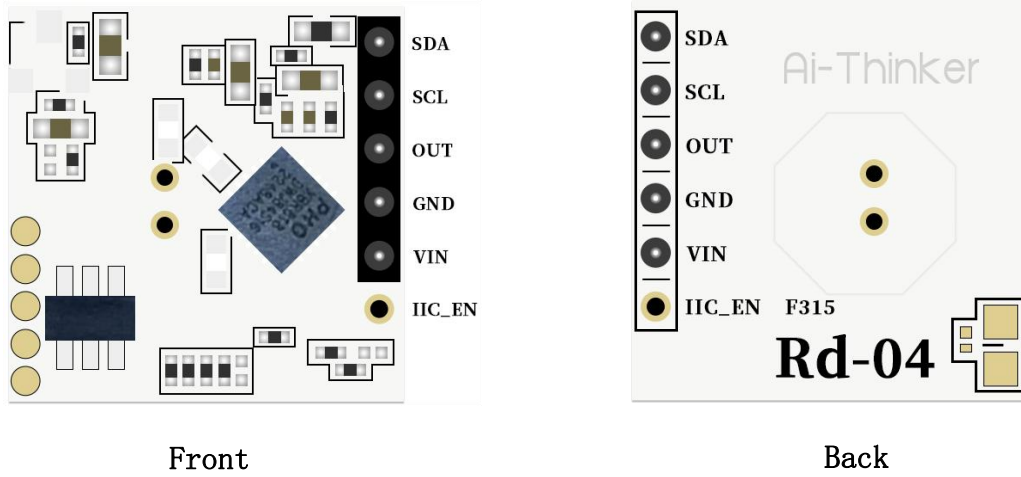


Figure 4 Dimension diagram



## 4. Pin definition

The Rd-04 module has 6 pins, such as the pin schematic diagram, and the pin function definition table is the interface definition.



**Figure5 Pin schematic diagram**  
**Table 5 Pin Function definition table**

No.	Name	Function
1	SDA	IIC data line
2	SCL	IIC clock line
3	OUT	Output of detection results, high level during induction, and low level without induction
4	GND	Ground
5	VIN	3.3V input power supply
6	IIC_EN	IIC enable, when configure Rd-04 mode with external MCU, this pin is connected to the IO port of the external MCU for low power consumption

## 5. Schematic diagram

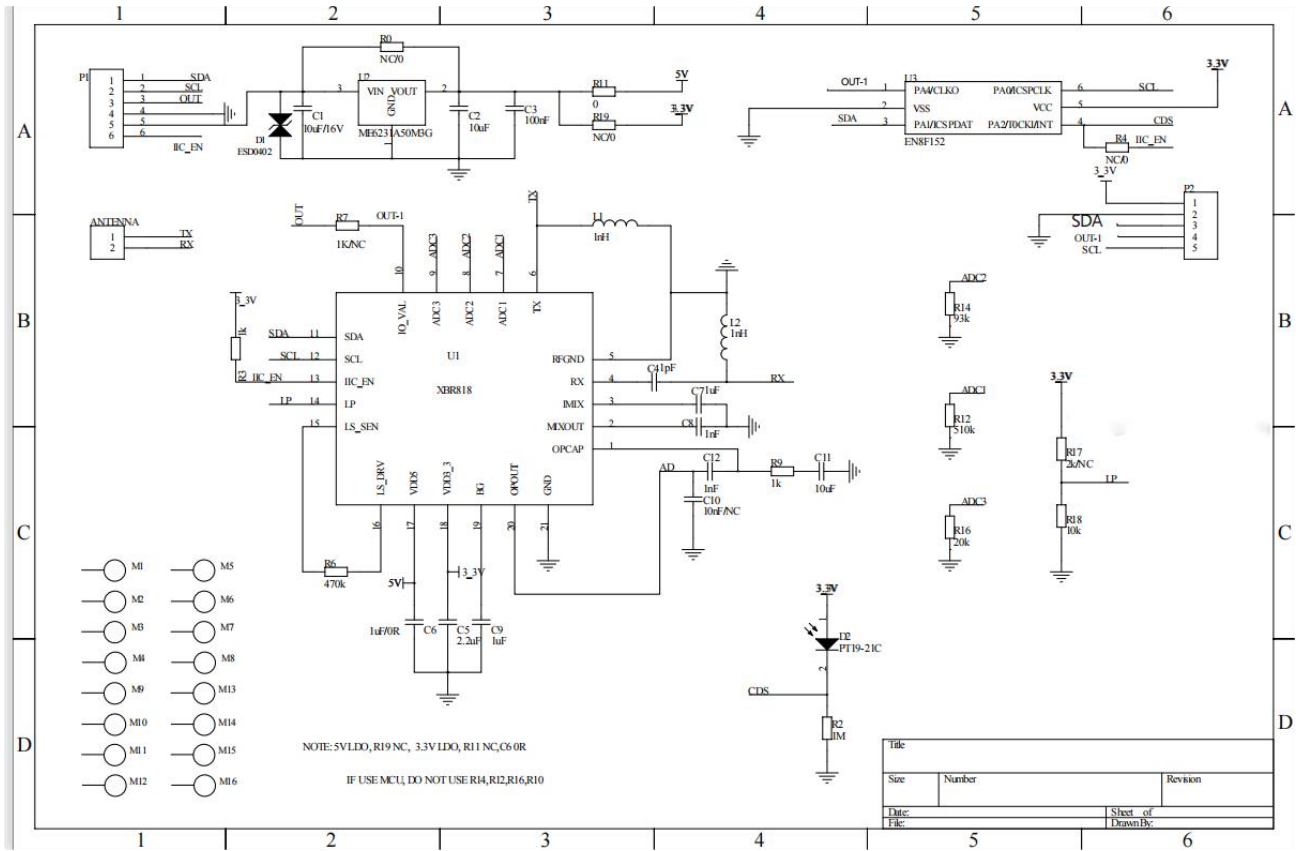


Figure 6 Schematic diagram

## 6. Design guidance

### 6.1. Application circuit guidance

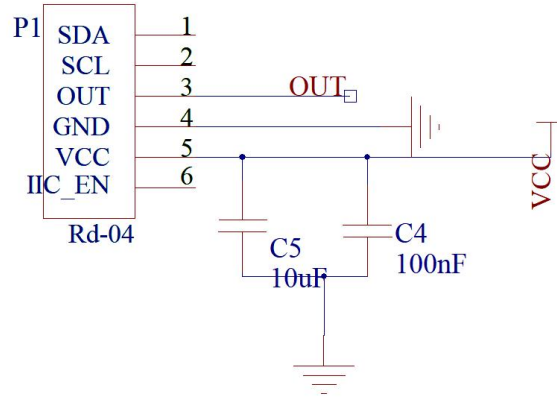


Figure 7 Application circuit guidance

### 6.2. Recommend PCB package size

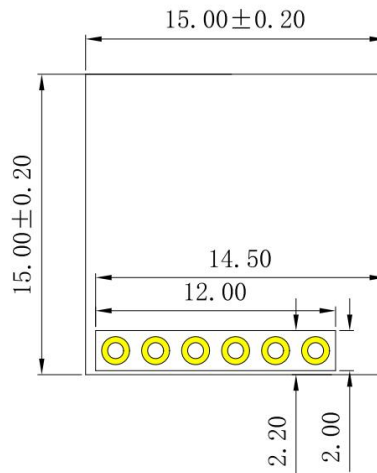


Figure 8 Recommend PCB package size

**Note:**

- The Rd-04 module supports a standard pin header interface with 2.0mm spacing

### 6.3. Attention in testing and using radar module

- In the installation position on the motherboard, the following ways are recommended:
- ✓ Try to ensure that the radar antenna is facing the area to be detected, and the antenna is open without shielding;

- ✓ To ensure that the radar installation position is firm and stable, the shaking of the radar itself will affect the detection;
- ✓ In the case of walls or obstacles reflecting microwave, the perceived distance and perceived Angle will have gain;
- ✓ In the case of open around, the perception distance and Angle will be attenuation; because the microwave antenna can change detection, so please protect the antenna, the surface without metal objects (such as solder wire), to avoid affecting the perception distance;
- ✓ The radar module maintains an independent use space, and the surrounding space maintains a free space interval of more than 2mm;
- ✓ About 15s initialized noise analysis time after power-on, during which it is abnormal perception work;
- ✓ During production line testing and aging operation, if a large number of radar modules are stacked to a block, there may be self-excitation phenomenon may occur. Please ensure that a safe distance of more than 50cm is maintained between the powered radar modules.
- In order to meet the performance of onboard antenna, it is forbidden to place metal parts around the antenna, away from high-frequency devices.

#### 6.4. Attention in application and installation of devices with built-in radar modules

- ✓ Equipped with radar module components, the installation position should be far away from the ventilation pipe, fire pipe, drainage pipe, mechanical vibration or large metal equipment and other strong vibration objects;
- ✓ Charge operation is strictly prohibited, so as to avoid action error, connection error, burn out the circuit or electric shock;
- ✓ Avoid installation in the sun and rain, to prevent damage and affect the service life;
- ✓ The device must be installed away from the electromagnetic field to avoid electromagnetic interference and misoperation; it should also be installed away from objects fixed rotating or swinging (such as electric fan, swaying leaves, drying clothes in the wind, etc.) to avoid misoperation;
- ✓ When the devices of several built-in radar modules are fixed and installed, the spacing between each device shall be 0.5m;
- ✓ The antenna surface of the radar microwave module is recommended to be 3~5mm away from the product shell, otherwise it will affect the perception distance;



**Figure 9 Distance between antenna surface and product shell**

- ✓ After the built-in radar module, it is recommended to place it horizontally or vertically. Within the effective perception range, try to avoid installing two or more built-in radar modules face to face;
- ✓ If the device using the built-in radar module (such as lamps) is always working (always bright) and cannot be turned on and off according to the moving target detection, the radar module may be disturbed by moderate frequency, causing the module to be judged to have a moving target moving within the perception range. At this time, the power supply should be turned off to check whether the power supply state of the power board is normal and whether the module space distance changes;
- ✓ If the above problems cannot be solved, please power off and observe the situation around the installation position, and eliminate the influence of environmental interference factors; after starting the power supply, if still have problems, then consider to replace the drive power panel or radar module.

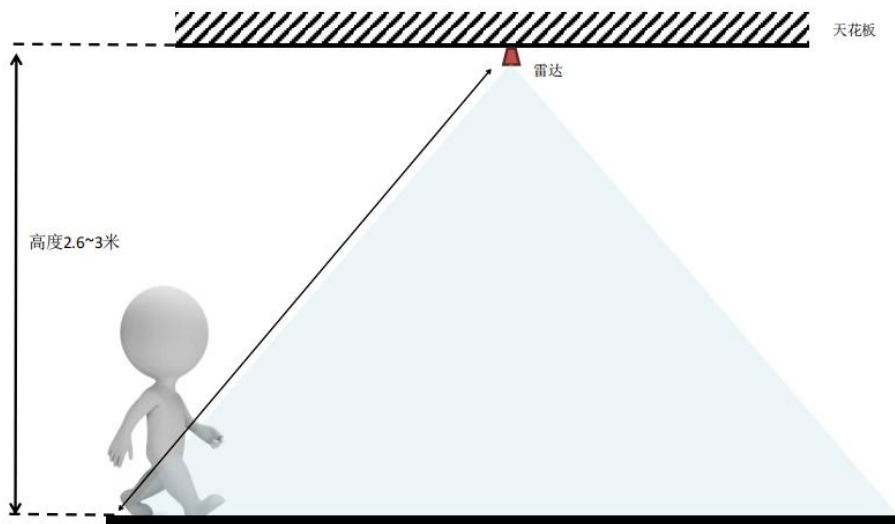
## 6.5. Installation environment requirements

This product needs to be installed in a suitable environment. If it is used in the following environments, the detection effect will be affected:

- There are non-human objects that keep moving in the sensing area, such as animals, curtains that keep swinging, and large green plants facing the air outlet.
- There is a large area of strong reflector in the sensing area, which will interfere with the radar antenna.
- When installing on wall, external interference factors such as air conditioner and electric fan at the top of the room should be considered.

## 6.6. Installation mode and induction range

- Top-hanging installation mode



**Figure 10 Schematic diagram of the top-hanging installation**

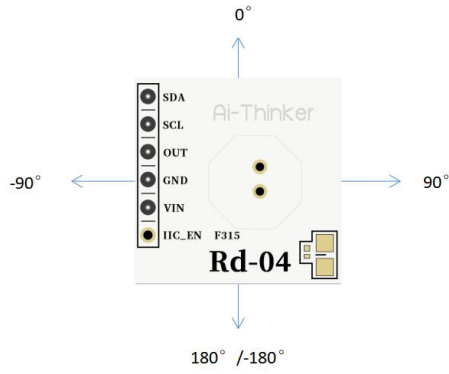


Figure 11 Direction diagram of the module for top-hanging

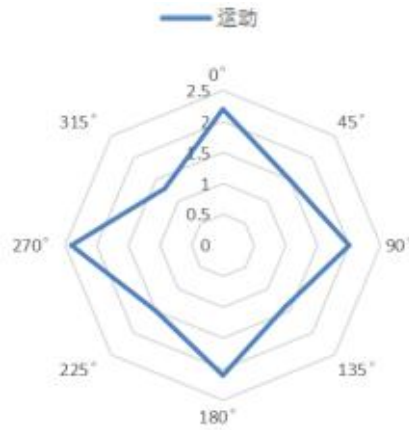


Figure 12 Top-hanging radar diagram

■ Wall-hanging installation mode

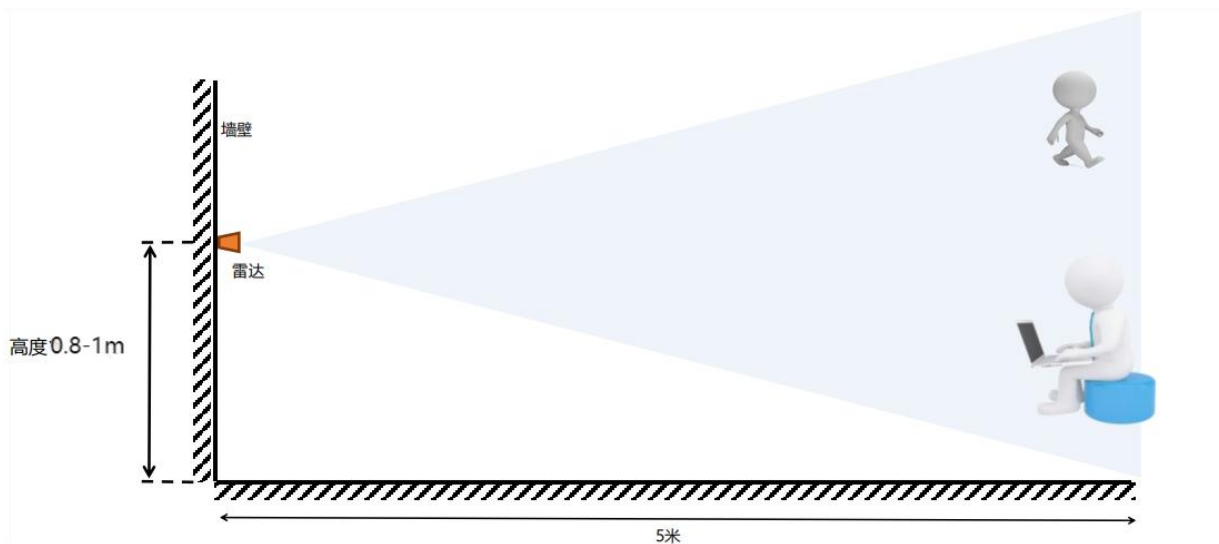


Figure 13 Schematic diagram of wall-hanging installation

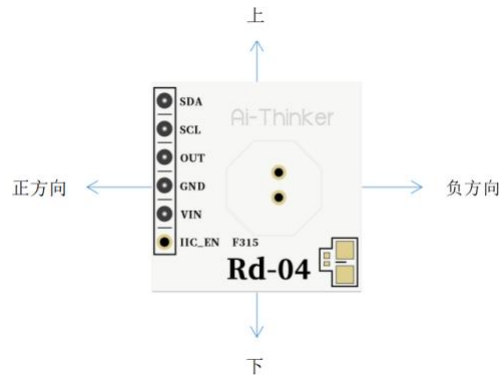


Figure 14 Direction diagram of the module for wall-hanging

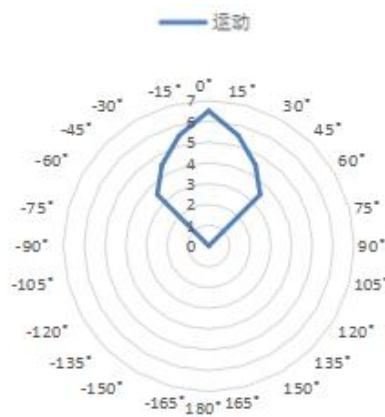


Figure 15 Wall-hanging radar diagram( $\pm 50$  degrees)

## 6.7. Supply electricity

- Recommended voltage is 3.3V, and peak current is above 100mA.
- It is recommended to use LDO for power supply; If DC-DC is used, it is recommended to control the ripple within 30mV.
- DC-DC power supply circuit suggests to reserve the position of dynamic response capacitor, which can optimize the output ripple when the load changes greatly.
- It is suggested to add ESD devices to the 3.3V power interface.

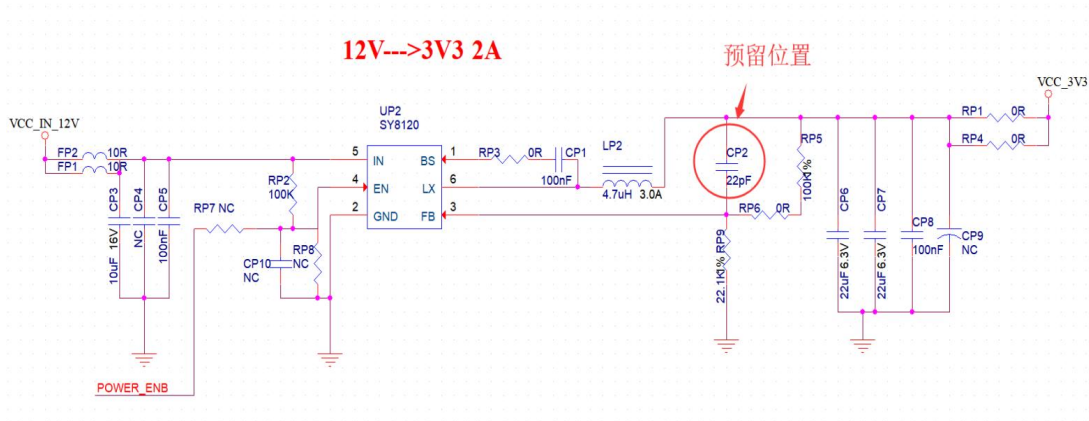


Figure16 DC-DC reduction voltage circuit diagram

## 6.8. GPIO

- The periphery of the module introduces some IO ports and, if necessary, uses the recommended series resistance of 10-100 ohms on the IO ports. This can suppress the overshoot and make the level on both sides more stable. For both EMI and ESD.
- For the up and down of the special IO port, refer to the instructions of the specification, which will affect the startup configuration of the module.
- The IO port of the module is 3.3V. If the main control does not match the IO port level of the module, the level conversion circuit should be added.
- If the IO port is directly connected to the peripheral interface or terminals, it is recommended to reserve ESD devices at the IO port line near the terminal.

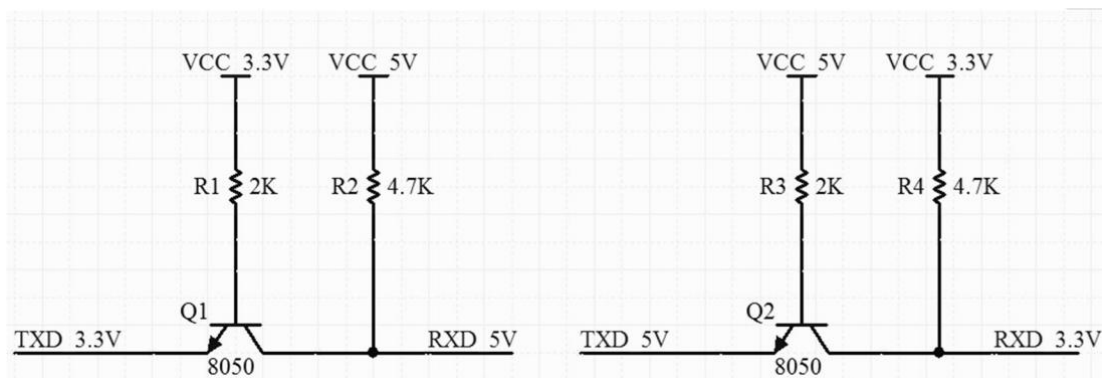


Figure 17 Level conversion circuit



## 7. Storage condition

Products sealed in moisture-proof bags should be stored in non-condensing atmospheric environment of < 40°C/90%RH.

The moisture sensitivity level MSL of the module is level 3.

After the vacuum bag is unpacked, it must be used within 168 hours at 25 5°C/60% RH, otherwise it will need to be baked before it can be put on the line again.

## 8. Reflow welding curve

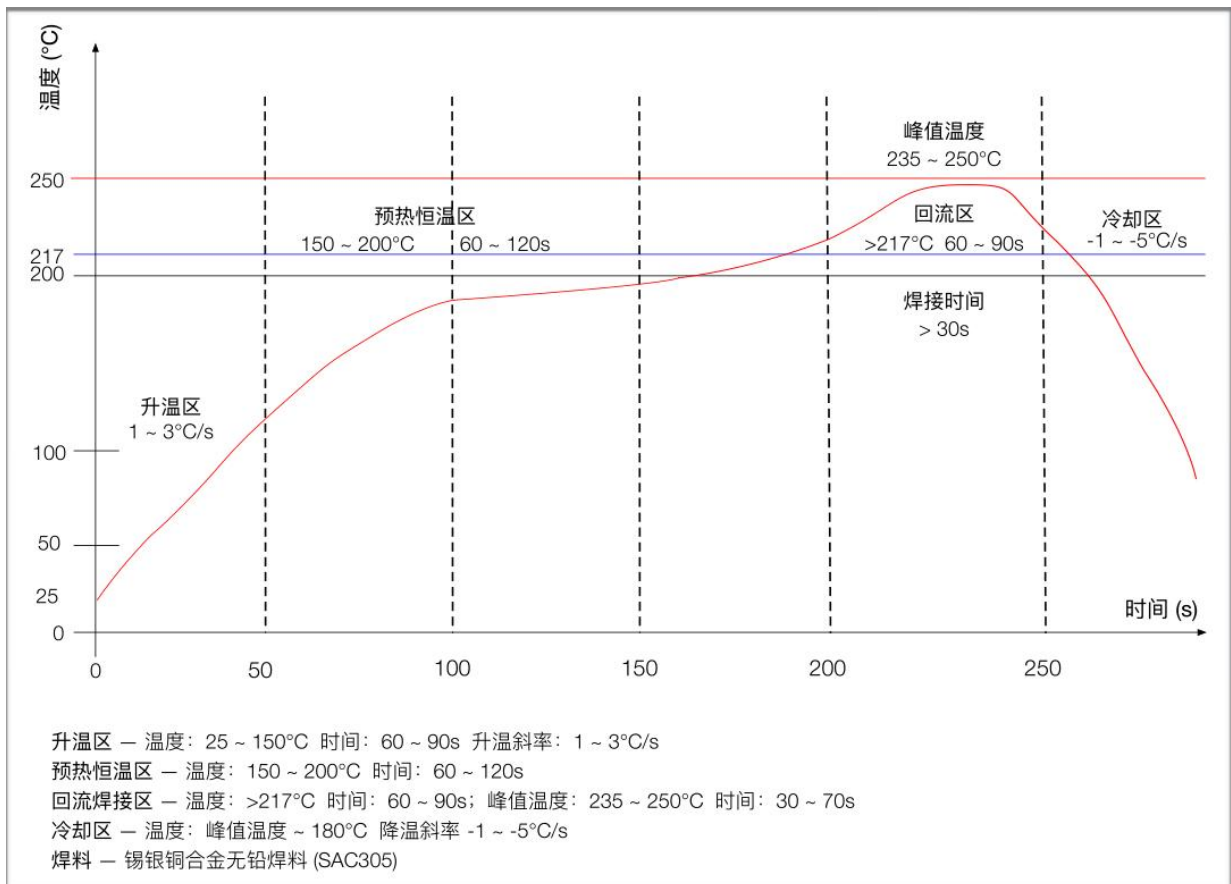


Figure18 Reflow Soldering Curve

## 9. Product package information

Table6 Package information table

Package list	Package method	Qty/bag (Electrostatic bag)	Quantity per pack (sealing bag)
Rd-04	Bubble cotton + electrostatic bag	1pcs	50pcs

## 10.Contact us

[Ai-Thinker official website](#)

[Office forum](#)

[Develop DOCS](#)

[LinkedIn](#)

[Tmall shop](#)

[Taobao shop](#)

[Alibaba shop](#)

Technical support email: [support@aithinker.com](mailto:support@aithinker.com)

Domestic business cooperation: [sales@aithinker.com](mailto:sales@aithinker.com)

Overseas business cooperation: [overseas@aithinker.com](mailto:overseas@aithinker.com)

Company Address: Room 403-405,408-410, Block C, Huafeng Smart Innovation Port, Gushu 2nd Road, Xixiang, Baoan District, Shenzhen.

Tel: +86-0755-29162996



WeChat mini program



WeChat official account

## Disclaimer and copyright notice

The information in this article,including the URL address for reference,is subject to change without notice.

The document is provided"as is"without any guarantee responsibility,including any guarantee for merchantability,suitability for a specific purpose,or non-infringement,and any guarantee mentioned elsewhere in any proposal,specification or sample.This document does not bear any responsibility,including the responsibility for infringement of any patent rights arising from the use of the information in this document.This document does not grant any license for the use of intellectual property rights in estoppel or other ways,whether express or implied.

The test data obtained in the article are all obtained from Ai-Thinker's laboratory tests,and the actual results may vary slightly.

All brand names,trademarks and registered trademarks mentioned in this article are the property of their respective owners,and it is hereby declared.

The final interpretation right belongs to Shenzhen Ai-Thinker Technology Co.,Ltd.

## Notice

Due to product version upgrades or other reasons,the contents of this manual may be changed.

Shenzhen Ai-Thinker Technology Co.,Ltd.reserves the right to modify the contents of this manual without any notice or prompt.

This manual is only used as a guide.Shenzhen Ai-Thinker Technology Co.,Ltd. makes every effort to provide accurate information in this manual.However, Shenzhen Ai-Thinker Technology Co.,Ltd. does not guarantee that the contents of the manual are completely free of errors.All statements and information in this manual And the suggestion does not constitute any express or implied guarantee.

## Statement

Ai-Thinker may provide technical and reliability data (including datasheets), design resources (including reference designs), application or other design recommendations, network tools, safety information and other resources (the "Resources") "as is" without warranties of any kind, express or implied. Including, but not limited to, express or implied warranties of suitability, fitness for a particular use, or non-infringement of any third party's intellectual property rights. And specifically declares that it is not liable for any necessary or incidental losses, including but not limited to, arising from the application or the use of any of our products and circuits.

Ai-Thinker reserves the right to release information in this document (including but not limited to metrics and product descriptions) and any changes to our products without prior notice. This document automatically supersedes and replaces all information provided in previous versions of the same document number file.

These resources are available to skilled developers who design with Ai-Thinker products. You are solely responsible for: (1) Selecting the appropriate Ai-Thinker products for your application; (2) Design, validate, and run your application and product throughout its life cycle; (3) Ensure that your application meets all applicable standards, codes and laws, as well as any other functional security, information security, regulatory or other requirements.

Ai-Thinker may authorize you to use these resources only for the development of applications of Essence Products described in this Resource. Without the permission of Ai-Thinker, any unit or individual shall not extract or copy part or all of these resources, and shall not be transmitted in any form. You are not entitled to use any other Ai-Thinker intellectual property rights or any third party intellectual property rights. You shall indemnify you in full for any claims, damages, costs, losses and liabilities arising against Ai-Thinker or its representatives in connection with the use of these resources, for which Ai-Thinker is not liable.

The products offered by Ai-Thinker are subject to the terms of sale of Ai-Thinker or other applicable terms attached to Essence's products. Essence's availability of these resources does not extend or otherwise change the warranties or warranties disclaimers applicable to product releases.